




Optimal Hierarchical Control of Isolated Microgrids

Control jerárquico-óptimo de microrredes aisladas

  Ricardo Alzate-Castaño ¹;
 María Alejandra Mantilla-Villalobos ²

¹ Universidad Industrial de Santander, Bucaramanga-Colombia,
ralzatec@uis.edu.co

² Universidad Industrial de Santander, Bucaramanga-Colombia,
marialem@uis.edu.co

ISSN-p: 0123-7799
ISSN-e: 2256-5337

Vol. 25, nro. 53, e2358, 2022

Recibido: 21 marzo 2022
Aceptado: 20 mayo 2022
Disponible: 31 mayo 2022

©Instituto Tecnológico Metropolitano
Este trabajo está licenciado bajo
una Licencia Internacional
Creative Commons Atribución
(CC BY-NC-SA)



How to cite/ Cómo citar

R. Alzate-Castaño; M. A. Mantilla-Villalobos, “Optimal Hierarchical Control of Isolated Microgrids”, *Tecnológicas*, vol. 25, nro. 53, e2358, 2022. <https://doi.org/10.22430/22565337.2358>

Abstract

The objective of this article is to propose a novel method that uses hierarchical control to efficiently manage power resources in an isolated Direct Current (DC) microgrid. The scope of this paper is limited to a numerical study of the components of the micro-generation system using accurate mathematical models in a commercial simulation tool. The control methodology is based on power sharing by means of a hierarchical topology including several control layers. In particular, the internal control loops that regulate the electrical variables in individual generators are at the bottom of the hierarchy. In addition, the power-sharing technique distributes power at an intermediate level, and it is complemented by a Newton-Raphson optimization algorithm at the top, which aims to minimize the cost function. The cost of the microgrid is defined in terms of investment and maintenance indices. This study analyzes the case of a low-power isolated DC microgrid that combines an array of photovoltaic panels and a battery bank. The most relevant result was the optimization of its generation cost, which was verified using simulations of the control and power circuits. In conclusion, although simple, the proposed technique achieves efficient performance in managing the power resources of this microgrid under environmental disturbances.

Keywords

Hierarchical Control, Economic Dispatch, Renewable Energy Sources, Power Management, CC Microgrid.

Resumen

El objetivo del presente artículo fue proponer un método para realizar la gestión eficiente de recursos energéticos en una microrred aislada en corriente continua, empleando control jerárquico. El alcance del trabajo se limitó a estudios numéricos a través de modelos matemáticos precisos en una herramienta de simulación comercial para los componentes del sistema de microgeneración eléctrica. La metodología del control se basó en el reparto de potencias mediante una topología jerárquica con diferentes capas de control. Específicamente, los lazos de control internos que regulan las variables eléctricas en generadores individuales están en la base de la jerarquía, la técnica de reparto de potencias realiza una distribución de energía a un nivel intermedio y se complementa en un nivel superior por un algoritmo de optimización del tipo Newton-Raphson, minimizando un funcional de costo. Dicho costo de la microrred es definido, a su vez, en términos de índices de inversión y mantenimiento. Asimismo, una microrred CC aislada y de baja potencia, constituida por un arreglo de paneles fotovoltaicos combinados con un banco de baterías, es analizada como caso de estudio. El resultado más importante correspondió con la verificación de la optimización del costo de generación mediante simulaciones para los circuitos de control y potencia. En conclusión, la técnica propuesta verifica, a pesar de su simplicidad, un desempeño eficiente para el manejo de recursos energéticos de la microrred ante perturbaciones del entorno.

Palabras clave

Control Jerárquico, Despacho Económico, Fuentes Renovables, Gestión Energética, Microrred CC.

1. INTRODUCTION

The degrading effects of climate change represent a challenge to preserve environmental sustainability [1]. Opposite of that, there is an increased demand for power resources from a growing population strongly dependent on technology. This warns governments worldwide of political, economic, social, technical, and environmental concerns [2], [3]. Traditionally, power demand has been supplied by industrial models based on fossil fuels (oil, coal, and natural gas). However, their restricted availability pushes for introducing new paradigms of energy production from renewable sources [4].

Modern electric power systems range from simple distributed generation topologies (microgrids [5]- [9]) mixing several types of natural power (hydraulic, solar thermal and photovoltaic, biomass, wind, tidal and geothermal) to sophisticated intelligent schemes of grids (smart-grids). Microgrids can be of direct current (DC) or the alternating current (AC) type, depending on the requirements of the demand (load). Despite several applications for single-phase and three-phase AC systems, the number of DC grids is becoming reasonably increased [10]. From a technological viewpoint, DC microgrids are of the same nature as sources like photovoltaic (PV) arrays and battery banks. Moreover, power flow control of DC microgrids becomes easier by avoiding all technical issues regarding frequency and phase [11], [12].

On the other hand, the intermittency of renewable sources requires dynamic management rules adapting the appropriate use of available resources. In traditional large-scale generation schemes, this is called economic dispatch [13]. For microgrids, some works reported in the literature have performed formulation of costs for an optimal operation of the distributed generation system. For instance, in [14] Hoogwijk explores the potential of renewable sources and defines related generation costs; in [15] Surender et al. discuss the dispatch of energy resources in a short data frame including renewable power; in [16] Giraldo defines and analyzes optimization scenarios for the energy management of distributed generation systems. From the control viewpoint, a dispatch methodology can be implemented only after assuring desired behavior at each power source in both: single and combined operations.

More specifically, the control of isolated (or islanded) microgrids has become a subject of increasing interest for researchers in recent years, given the intricate problems associated with the erratic behavior of renewable resources. In particular, it is challenging to assure a stable and continuous power flow under environmental variations and changing load conditions. A literature review reveals that a key point to perform operational control in isolated microgrids is the state of charge of battery energy storage systems, as it is addressed by Jiechao et al. in [17]. In a similar approach, Giraldo et al. perform in [18] synchronization of isolated microgrids by communicating frequency information data for coordination via cooperative control and consensus algorithms. More interestingly, Jinrui et al. are investigating in [19] the impact of low-frequency oscillations caused by converter-interfaced distributed generators in isolated microgrids with smart loads. In [20] Liang et al. define an electric spring as an effective manner of enhancing the operational flexibility and renewable energy integration, by determining the operation status of noncritical loads. On the other hand, Ryan et al. in [21] discuss compensation of low inertia in islanded microgrids by adding a data-driven grid-supporting control system for battery energy storage systems, being similar to the approach proposed by de Matos in [22] to keep energy balance in microgrids by limiting the battery-bank state of charge under droop control strategies.

The droop control technique is a well-known method to achieve power scheduling on electrical grids being adaptable to a hierarchical structure with several levels of regulation loops. Related works include the classical paper of Guerrero et al. [23] defining the hierarchic control of microgrids. In [24] and [25] developments are presented on the application of such control topology to DC microgrids. Dispatch and control for DC microgrids are explored further in papers like [26] with a multiagent supervisory control approach; [27] focusing on the dispatch of storage units and [28] including real price constraints on DC microgrids subjected to droop control.

Hence, inspired by the developments this paper addresses the formulation and implementation of an optimal dispatch based on hierarchical droop control, over a DC microgrid including renewable resources. The approach presented here is simple but tries to illustrate in-depth the solution to the optimal management of renewable power resources by numerical analyzes performed on a simulated testbench. The paper corresponds to an extended version of the work [29] presented as an oral contribution to the X SICEL-2021.

2. THE DC MICROGRID

Figure 1 depicts the isolated microgrid selected as a case study. The system includes a series of 5 photovoltaic (PV) panels of 12 VDC / 310 W (for a total power of 1550 W / 60 VDC) in parallel with a bank of 5 batteries of 12 VDC / 250 Ah arranged in series (for a total power of 15000 Wh / 60 VDC), feeding a resistive load demanding 1500 W / 120 VDC. The connection interface between each generator (PV array and batteries) and the DC bus was performed via DC/DC boost power converters. The situation illustrated is inspired by charging units for electric vehicles in Bucaramanga – Colombia (<https://www.essa.com.co>).

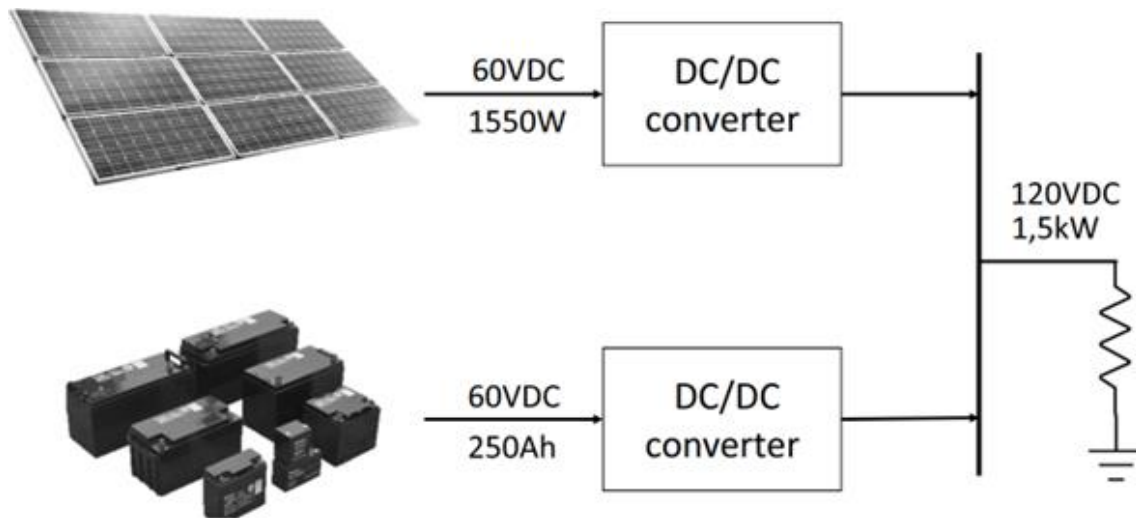


Figure 1. Isolated DC microgrid. Source: Created by the authors.

2.1 Open-loop simulation of the microgrid

To perform a dynamical analysis of the system, an equivalent circuit for the microgrid was simulated in PSIM (<https://powersimtech.com>) following the schematic representation shown in Figure 2 and the circuit parameters listed in Table 1.

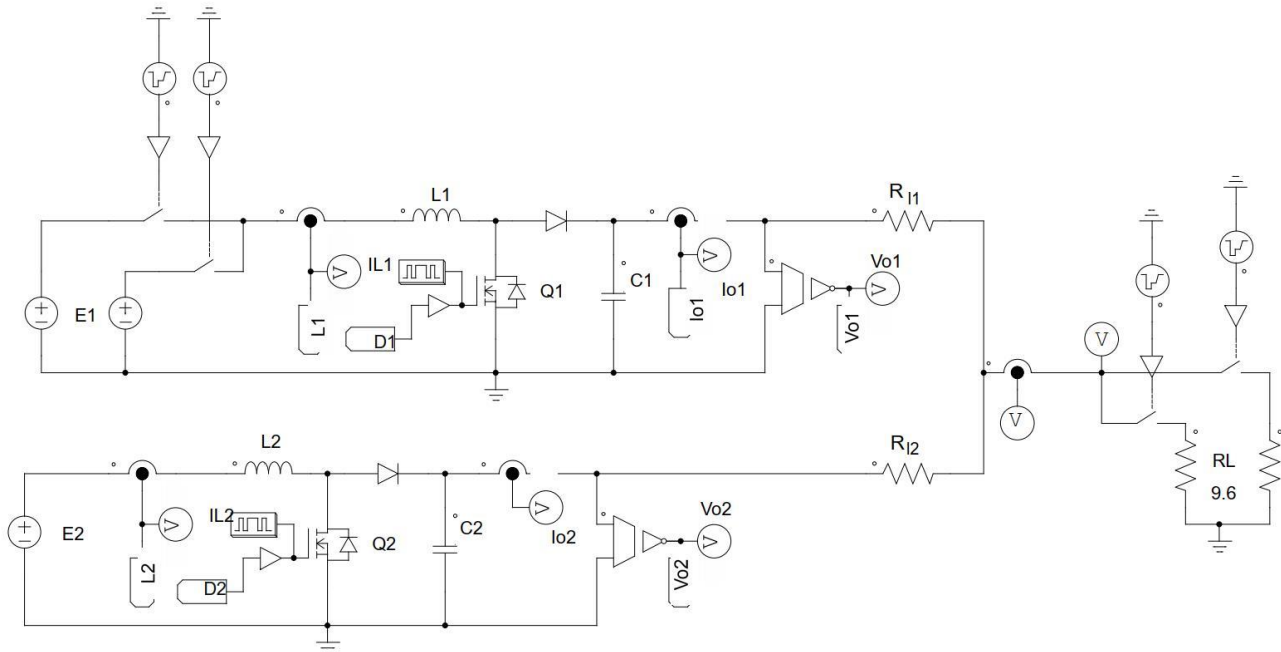


Figure 2. Schematic circuit for the DC microgrid simulated in PSIM. Source: Created by the authors.

Table 1. Circuit parameter values for the DC microgrid. Source: Created by the authors.

Parameter	Description	Value
E ₁	Supply voltage at PV source	60 VDC
E ₂	Supply voltage at batteries	60 VDC
L ₁ = L ₂	Inductance of the boost converter	5.6 mH
C ₁ = C ₂	Capacitor of the boost converter	100 μF
Q ₁ = Q ₂	IGBT of the boost converter	ideal
D ₁ = D ₂	Nominal duty cycle of the converter	0.5
R ₁₁	Coupling resistance converter 1	0.032 Ω
R ₁₂	Coupling resistance converter 2	0.016 Ω
f	Nominal PWM frequency	20 kHz
V	Nominal voltage at DC bus	120 VDC
R _L	Nominal load impedance	9.6 Ω

The simulation scenario consisted of a zero initial condition, followed by a change in load nominal value at $t = 0.07$ s (step variation for R_L from 9.6Ω to 12Ω), reversed at $t = 0.11$ s.

In addition, a variation in the supply voltage E_1 (from its nominal value of 60 V DC to 55 V DC) was included during the interval $t \in [0.14, 0.24]$ s, emulating the decaying lobe of solar radiation after the noon. The corresponding results without control are presented in Figure 3 (dark trace), showing changes in load power (1500 W) as an effect of system disturbances.

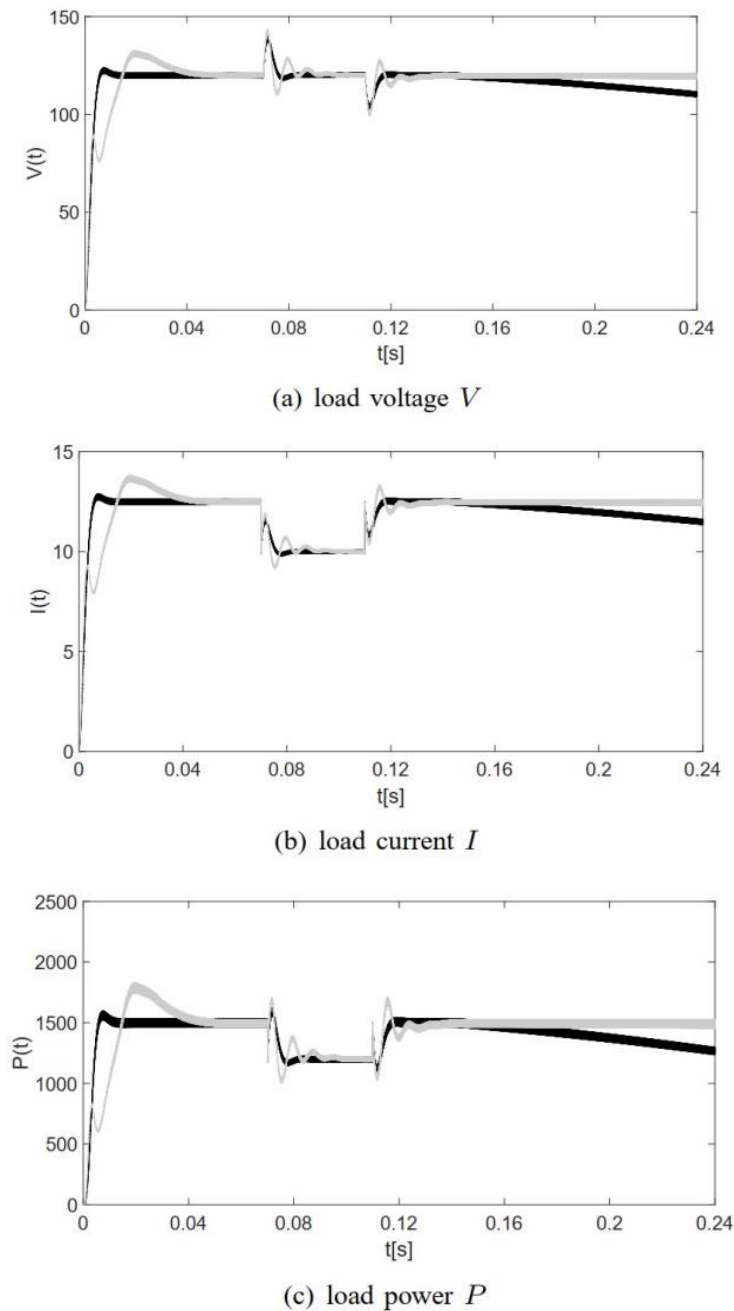


Figure 3. Simulations in PSIM for single generators under disturbances showing open-loop (dark trace) and controlled responses (gray trace). Source: Created by the authors.

3. DROOP CONTROL

To perform the power-sharing between generators, it is mandatory to achieve first the individual regulation of sources. By following ideas proposed by Utkin [30], a double-loop configuration was implemented as depicted in Figure 4 to control variables of the boost power converter, with an internal loop for the inductor current and an external loop for the capacitor (output) voltage. Parameters for the PI controllers were tuned as described in [31] using

classical methods. In accordance, the gray trace in Figure 3 verifies the improvement achieved in the stationary conditions of the system according to desired nominal values.

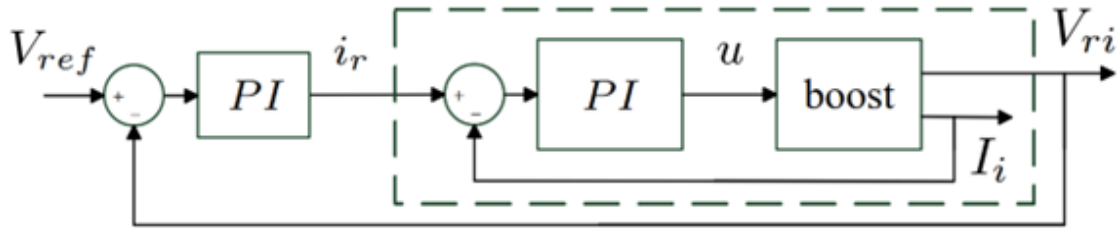


Figure 4. Double-loop regulation scheme for the boost power converter. Source: Created by the authors.

3.1 Power sharing

Once the output values of the perturbed system have been recovered, the droop scheme presented in Figure 5 was configured with R_{di} standing for the droop resistance at the i -th generator. The calculation for each R_{di} was performed as presented in (1):

$$R_{di} \leq (\Delta V \times V_o) / P_{oi}, \tag{1}$$

being ΔV the maximum deviation allowed for the DC bus voltage, $P_{oi} = I_{oi} \times V_o$ the maximum power delivered to the load by the i -th generator, and V_o its minimum voltage.

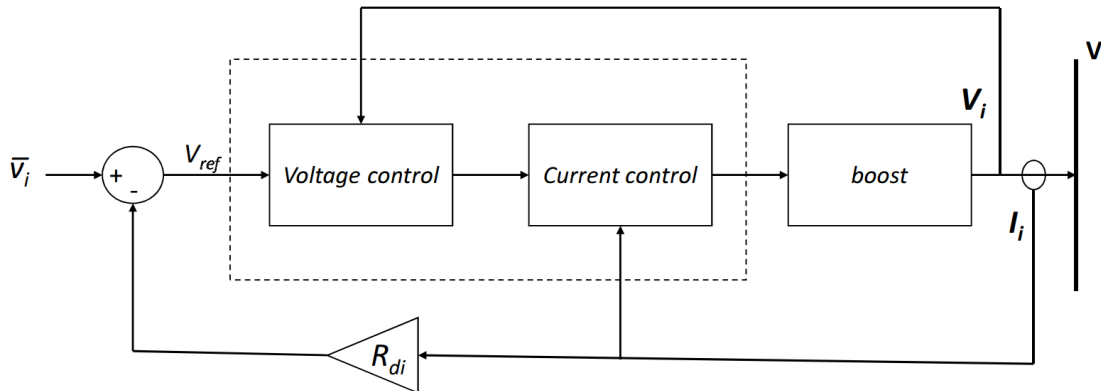


Figure 5. Droop control loop at each generator. Source: Created by the authors.

Hence, by assuming fixed proportions of power in (2):

$$P = P_1 + P_2 = 900 \text{ W} + 600 \text{ W} = 1500 \text{ W} \tag{2}$$

The corresponding droop resistances for the microgrid (taking $\Delta V = 2 \text{ V}$ and $V_o = 118 \text{ V}$) are: $R_{d1} = 0.262 \text{ } \Omega$ and $R_{d2} = 0.393 \Omega$. The hierarchic structure performing the control is illustrated in Figure 6 by a block diagram including the following levels: primary control (internal loops of the converter); secondary control (adjustment given by the droop resistance) and tertiary control (power references for the lower levels). After performing simulations in PSIM for that scheme, the results presented in Figure 7 (dark trace) allow verifying the power-sharing between the PV array and the battery bank according to proportions selected in (2).

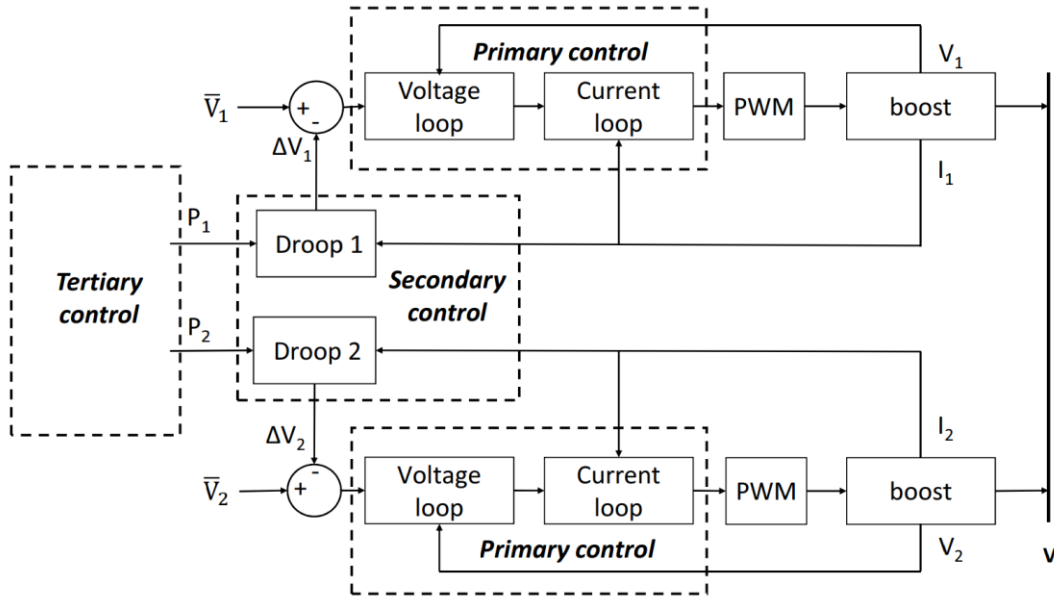
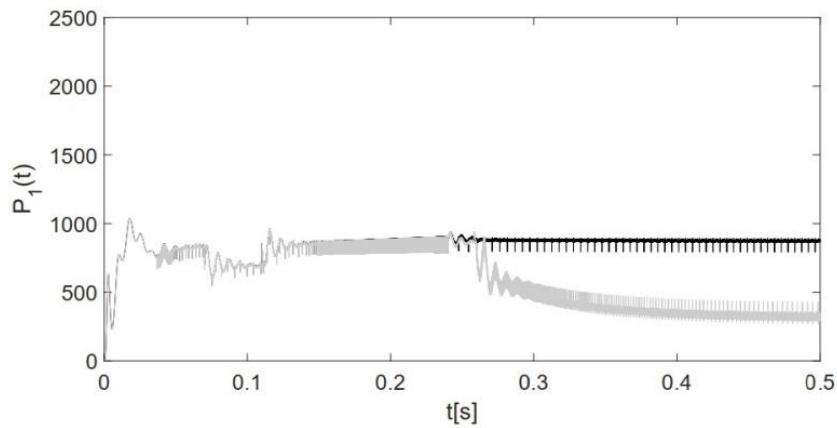
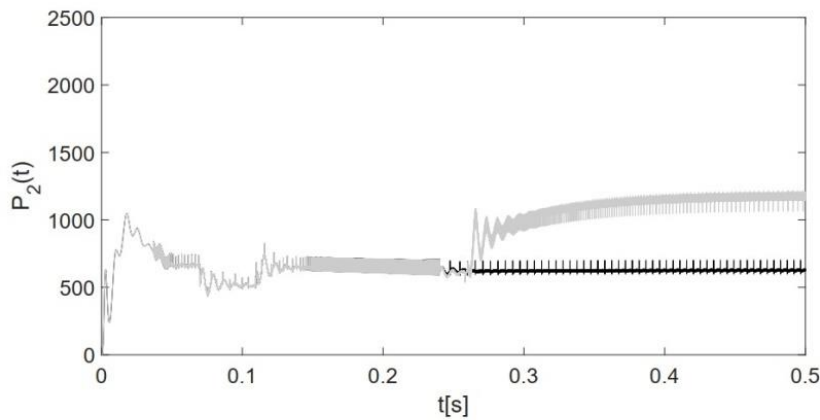


Figure 6. Hierarchical topology to control de DC microgrid. Source: Created by the authors.



(a) output power P_1



(b) output power P_2

Figure 7. Power contribution of each generator under non-optimized (dark trace) and optimized (gray trace) droop control. Source: Created by the authors.

4. OPTIMAL MANAGEMENT OF RESOURCES

The results presented so far are not considering generation costs. In general, many authors consider renewable energy power as free and then as a non-dispatchable resource. However, it is possible to assign ponderation rules allowing weighted contributions for generators attending a given demand. The simplest rule is to assign the whole power available, but what about if there are several sources generating power at the same time? and how to proceed in order to mix them properly?

Based on cost models proposed by Hoogwijk in [14], it is possible to define generation costs in renewable sources by (3):

$$C(P) = (\alpha \times I \times P) + (M \times P), \tag{3}$$

being α the annuity factor, I the investment cost per unit power P installed, and M the maintenance cost per unit power P installed. In particular, employing the information provided by IRENA (<https://www.irena.org>) on statistics for the year 2021, the cost functions for the PV array and the battery bank were constructed by coefficients listed in Table 2, estimating a total generation cost of the microgrid as in (4):

$$C(P_1, P_2) = (38.314 \times P_1) + (19.5368 \times P_2) \tag{4}$$

Further details about these calculations are given in [32] and references therein.

Table 2. Cost coefficients of renewable sources (in Colombian pesos). Source: Created by the authors.

Parameter	Description	Value
α	Annuity factor per hour	0.04
I_1	Investment cost per kW/hour of PV power installed	\$781.85
I_2	Investment cost per kW/hour of battery power installed	\$390.92
M_1	Maintenance cost per kW/hour of PV power installed	\$7.04
M_2	Maintenance cost per kW/hour of battery power installed	\$3.90

4.1 The optimization problem

To operate the microgrid at the lowest cost, the combination of P_1 and P_2 allowing the minimum of (4) is required, subjected to restriction (2) under variations on generation power, as it is shown by (5):

$$\begin{aligned} & \text{minimize } C(P_1, P_2) \\ & \text{subjected to } P_1 + P_2 = 1500 \text{ W} \end{aligned} \tag{5}$$

Among the several methods available to solve the optimization problem defined in (5), the Newton-Raphson approach proposed by Saadat in [13] was employed in this article. In accordance, by noticing that the total generation cost in (4) has a linear fashion, it is required to employ a quadratic transformation to assure the existence of a minimum (concavity). In particular, we chose the function proposed in (6):

$$\Gamma(P_1, P_2) = (38.314 \times P_1)^2 + (19.5368 \times P_2)^2 = 1467.96 \times P_1^2 + 381.69 \times P_2^2 \tag{6}$$

and then minimizing $\Gamma(P_1, P_2)$ corresponds to minimize $C(P_1, P_2)$, as it can be easily shown that $\Gamma \geq C$.

By doing so, the Lagrangian function in (7):

$$h(P_1, P_2, \lambda) = \Gamma(P_1, P_2) + \lambda(1500 - (P_1 + P_2)) \quad (7)$$

can be minimized by an appropriate selection of the Lagrange multiplier λ , subjected to restrictions defined in (2).

The solution for λ was approximated numerically using a predictor-corrector algorithm programmed in C language and implemented in PSIM with a Simplified C block. An equivalent pseudo-code for the optimization routine is illustrated in Figure 8. The optimized results are contrasted in Figure 7 with the non-optimized power-sharing. As it can be seen (in the gray trace), the steady-state power values are: $P_1 = 309.53$ W and $P_2 = 1190.5$ W, confirming the (easily verifiable) theoretical optimal solution.

```

-----
% Initialization of variables
-----
i = 0          % Counter for iterations
Tol = 0.001   % Stop condition
Max = 100    % Maximum iteration restriction
λ = 1         % Initial value for λ
Δ = 1        % Initial value for Δ
-----
% Main Loop
-----
while ((abs(Δ) > Tol) && (i < Max))

    ∂h/∂P1 = 0 ⇒ P1(λ)
    ∂h/∂P2 = 0 ⇒ P2(λ)
    ∂h/∂λ evaluated in P1(λ) and P2(λ) after replacing λ ⇒ Dh
    ∂h/∂λ = 0 ⇒ f1(P1(λ),P2(λ),λ) ⇒ Dg
    dDg/dλ after replacing λ ⇒ J
    Δ = (-1*Dh)/J
    λ = λ + Δ
    i = i + 1

end

-----
% Optimal Values
-----
P1(λ)
P2(λ)

```

Figure 8. Pseudocode for the Algorithm executing the Optimization Routine
Source: Created by the authors.

Moreover, in Figure 9 a dynamic calculation for the total cost function $C(P_1, P_2)$ is performed, activating the optimization algorithm at $t = 0.24$ s and being followed by an alteration in the cost function for the battery bank at $t = 0.5$ s.

From those results, it is clear that after starting the optimization routine, the calculated total cost tends to be reduced. This fact is consistent with the expected behavior of minimization. Also, there is a small increment after changing the generation cost of the battery bank unveiling the self-adjustment capacity of the proposed approach to adapt energy management to dynamic rules, a situation needed in practice for the appropriate distribution of resources in a real microgrid.

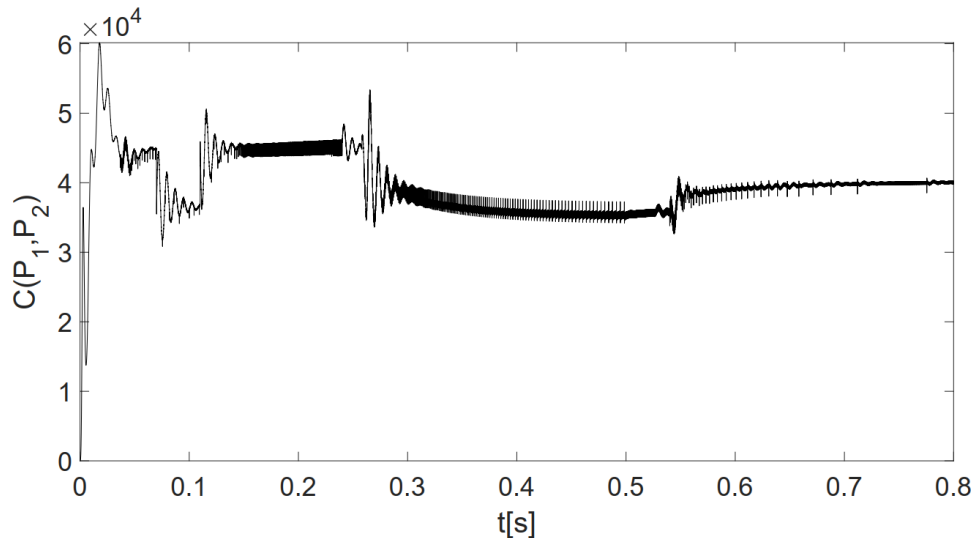


Figure 9. Total cost function calculated with and without optimization
Source: Created by the authors.

5. CONCLUSIONS

A proposal to perform energy management in isolated DC microgrids employing renewable resources has been addressed. The approach consisted of a hierarchical structure based on droop control driving internal loops of PI classical controllers regulating the electrical variables of DC/DC boost power converters. In order to perform power-sharing and corresponding energy management, it is mandatory to achieve first the appropriate regulation at each generator. In accordance, Figure 3 has shown the dynamic improvement achieved by internal control loops compensating for undesired environmental variations in electrical variables of the system. From there, the controlled system has soft transients with fast recovery for desired reference values. Then, the power proportions can be selected attending to restrictions and cost functions to minimize (optimize) the operation of the microgrid system. For illustration, a simple algorithm based on the Newton-Raphson method was implemented and incorporated into numerical simulations of the grid, showing promising results by dynamic scheduling of power references adapted to environmental conditions. This was reflected in Figure 7 by the change in power trends at each generator, as well as by the reduction in the overall system cost along the time, as depicted in Figure 8.

From there, it is noticeable that despite the increase in generated power under perturbations, the total cost of the optimized mode is always below the cost calculated before

activating the optimization algorithm. Ongoing work aims to verify the numerical results presented here but in a real laboratory prototype.

6. ACKNOWLEDGMENTS AND FUNDING

Authors would like to acknowledge the financial support of the Universidad Industrial de Santander in Colombia, funding the work presented in this paper under grant code VIE-UIS 2479. Also, the contribution of Mr. Sebastián Benjumea Cerpa in the implementation of the optimization algorithm as part of his degree project.

CONFLICTS OF INTEREST

There are no actual or apparent conflicts of interest by any of the authors related to the manuscript presented.

AUTHOR CONTRIBUTIONS

Ricardo Alzate-Castaño has been in charge of the design and verification by simulation of the internal double-loop control strategy, the droop control strategy, and the minimization rule.

María Alejandra Mantilla-Villalobos was in charge of designing and verifying by simulation of electronic power converters, the photovoltaic array, the battery bank, the system load, and the corresponding disturbances affecting the dynamics of the microgrid.

7. REFERENCES

- [1] J. Gowdy, “Our hunter-gatherer future: Climate change, agriculture and uncivilization”, *Futures*, vol. 115, p. 102488, Jan. 2020. <https://doi.org/10.1016/j.futures.2019.102488>
- [2] J. Pardeo; K. Vincent; D. Conway, “How do staff motivation and workplace environment affect capacity of governments to adapt to climate change in developing countries?”, *Environ. Sci. Policy*, vol. 90, pp. 46 – 53, Dec. 2018. <https://doi.org/10.1016/j.envsci.2018.09.020>
- [3] W. Krauß; S. Bremer, “The role of place-based narratives of change in climate risk governance”, *Clim. Risk Manag.*, vol. 28, p. 100221, 2020. <https://doi.org/10.1016/j.crm.2020.100221>
- [4] T. Abbasi; S. Abbasi, “Decarbonization of fossil fuels as a strategy to control global warming”, *Renew. Sustain. Energy Rev.*, vol. 15, no. 4, pp. 1828-1834, May. 2011. <https://doi.org/10.1016/j.rser.2010.11.049>
- [5] X. Zhou; T. Guo; Y. Ma, “An overview on microgrid technology”, in *2015 IEEE International Conference on Mechatronics and Automation (ICMA)*, 2015, pp. 76–81. <https://doi.org/10.1109/ICMA.2015.7237460>
- [6] A. Hirsch; Y. Parag; J. Guerrero, “Microgrids: A review of technologies, key drivers, and outstanding issues”, *Renew. Sustain. Energy Rev.*, vol. 90, pp. 402-411, Jul. 2018. <https://doi.org/10.1016/j.rser.2018.03.040>
- [7] W. Guacaneme; A. F. Rodríguez; L. M. Gómez; F. Santamaría; C. Trujillo, “Development of a small-scale residential microgrid prototype”, *Tecnológicas*, vol. 21, no. 43, pp. 107-125, Sep. 2018. <https://doi.org/10.22430/22565337.1065>
- [8] J. D. Garzón-Hidalgo; A. J. Saavedra-Montes, “A design methodology of microgrids for non-interconnected zones of Colombia”, *Tecnológicas*, vol. 20, no. 39, pp. 39-53, May 2017. <https://doi.org/10.22430/22565337.687>
- [9] D. López-García; A. Arango-Manrique; S. X. Carvajal-Quintero, “Integration of distributed energy resources in isolated microgrids: the Colombian paradigm”, *Tecnológicas*, vol. 21, no. 42, pp. 13-30, May 2018. <https://doi.org/10.22430/22565337.774>

- [10] M. Lonkar; S. Ponnaluri, “An overview of DC microgrid operation and control”, in *IREC2015 The Sixth International Renewable Energy Congress*, 2015, pp. 1–6. <https://doi.org/10.1109/IREC.2015.7110892>
- [11] A. Iovine; G. Damm; E. D. Santis; M. D. D. Benedetto, “Management controller for a DC MicroGrid integrating renewables and storages”, *IFAC-PapersOnLine*, vol. 50, no. 1, pp. 90-95, Jul. 2017. <https://doi.org/10.1016/j.ifacol.2017.08.016>
- [12] D. Murillo-Yarce; A. Garcés-Ruiz; A. Escobar-Mejía, “Passivity based control for DC-microgrids with constant power terminals in island mode operation”, *Rev. Fac. Ing. Univ. Antioquia*, pp. 32-39, Mar. 2018. <https://doi.org/10.17533/udea.redin.n86a05>
- [13] H. Saadat, *Power System Analysis*. PSA Publishing LLC, 2011.
- [14] M. M. Hoogwijk, “On the global and regional potential of renewable energy sources”, (Ph.D. Thesis), at Faculteit Scheikunde, Universiteit Utrecht, Mar. 2004. <https://www.osti.gov/etdweb/biblio/20449848>
- [15] S. Surender Reddy; P. R. Bijwe; A. R. Abhyankar, “Real-time economic dispatch considering renewable power generation variability and uncertainty over scheduling period”, *IEEE Transactions on Power Systems*, vol. 9, no. 4, pp. 1440-1451, 2015. <https://doi.org/10.1109/JSYST.2014.2325967>
- [16] W. D. Giraldo Gómez, “Metodología para la gestión óptima de energía en una micro red eléctrica interconectada”, (Tesis de Maestría), Departamento de Energía Eléctrica y Automática, Universidad Nacional de Colombia., 2016. <https://repositorio.unal.edu.co/handle/unal/57269>
- [17] J. Lv; X. Wang; G. Wang; Y. Song, “Research on Control Strategy of Isolated DC Microgrid Based on SOC of Energy Storage System”, *Electronics*, vol. 10, no. 7, p. 834, Mar. 2021. <https://doi.org/10.3390/electronics10070834>
- [18] J. Giraldo; E. Mojica-Nava; N. Quijano, “Synchronization of isolated microgrids with a communication infrastructure using energy storage systems”, *Int. J. Electr. Power Energy*, vol. 63, pp. 71-82, Dec. 2014. <https://doi.org/10.1016/j.ijepes.2014.05.042>
- [19] J. Guo; T. Chen; B. Chaudhuri; S. Y. R. Hui, “Stability of Isolated Microgrids with Renewable Generation and Smart Loads”, *IEEE Transactions on Sustainable Energy*, vol. 11, no. 4, pp. 2845-2854, 2020. <https://doi.org/10.1109/TSTE.2020.2980276>
- [20] L. Liang; Y. Hou; D. J. Hill, “Enhancing Flexibility of an Islanded Microgrid with Electric Springs”, *IEEE Transactions on Smart Grid*, vol. 10, no. 1, pp. 899-909, 2019. <https://doi.org/10.1109/TSG.2017.2754545>
- [21] D. J. Ryan; R. Razzaghi; H. D. Torresan; A. Karimi; B. Bahrani, “Grid-Supporting Battery Energy Storage Systems in Islanded Microgrids: A Data-Driven Control Approach”, *IEEE Transactions on Sustainable Energy*, vol. 12, no. 2, pp. 834-846, 2021. <https://doi.org/10.1109/TSTE.2020.3022362>
- [22] J. G. de Matos; F. S. F. e Silva; L. A. d. S. Ribeiro, “Power Control in AC Isolated Microgrids with Renewable Energy Sources and Energy Storage Systems”, *IEEE Transactions on Industrial Electronics*, vol. 62, no. 6, pp. 3490-3498, 2015. <https://doi.org/10.1109/TIE.2014.2367463>
- [23] J. M. Guerrero; J. C. Vasquez; J. Matas; L. García de Vicuña; M. Castilla, “Hierarchical control of droop-controlled AC and DC microgrids: A general approach toward standardization”, *IEEE Transactions on Industrial Electronics*, vol. 58, no. 1, pp. 158-172, 2011. <https://doi.org/10.1109/TIE.2010.2066534>
- [24] Z. Shuai; J. Fang; F. Ning; Z. J. Shen, “Hierarchical structure and bus voltage control of DC microgrid”, *Renew. Sustain. Energy Rev.*, vol. 82, Part. 3, pp. 3670–3682, Feb. 2018. <https://doi.org/10.1016/j.rser.2017.10.096>
- [25] W. Li; Y. Gu; H. Yang; W. Sun; Y. Chi; X. He, “Hierarchical control of DC microgrids combining robustness and smartness”, *CSEE Journal of Power and Energy Systems*, vol. 6, no. 2, pp. 384-393, 2019. <https://ieeexplore.ieee.org/stamp/stamp.jsp?arnumber=8779793>
- [26] A. A. Hamad; E. F. El-Saadany, “Multi-agent supervisory control for optimal economic dispatch in DC microgrids”, *Sustain. Cities Soc.*, vol. 27, pp. 129-136, Nov. 2016. <https://doi.org/10.1016/j.scs.2016.02.016>
- [27] W. Gil- González; O. D. Montoya; E. Holguín; A. Garces; L. F. Grisales-Noreña, “Economic dispatch of energy storage systems in DC microgrids employing a semidefinite programming model”, *J. Energy Storage.*, vol. 21, pp. 1-8, Feb. 2019. <https://doi.org/10.1016/j.est.2018.10.025>
- [28] C. Li; F. de Bosio; F. Chen; S. K. Chaudhary; J. C. Vasquez; J. M. Guerrero, “Economic dispatch for operating cost minimization under real-time pricing in droop-controlled DC microgrid”, *IEEE Journal of Emerging and Selected Topics in Power Electronics*, vol. 5, no. 1, pp. 587–595, 2017. <https://doi.org/10.1109/JESTPE.2016.2634026>
- [29] R. Alzate; M. Mantilla, “Proposal for the optimal management of a DC microgrid”, *X International Symposium on Electric Power Quality (SICEL 2021)*. Pereira - Colombia. October 2021.
- [30] V. Utkin; J. Guldner; J. Shi, *Sliding Mode Control in Electromechanical Systems*. Taylor & Francis, 1999.
- [31] D. C. Hernández Malaver; K. J. Muñoz Galvis, “Control droop de una microrred simple”, (Trabajo de grado), Facultad de Ingenierías Fisicomecánicas, Universidad Industrial de Santander. Bucaramanga, 2019. <http://tangara.uis.edu.co/biblioweb/tesis/2019/178062.pdf>

- [32] D. M. Hernández Vargas, “Despacho económico y su aplicación en microrredes eléctricas”, (Trabajo de grado), Facultad de Ingenierías Fisicomecánicas, Universidad Industrial de Santander. Bucaramanga, 2019. <http://tangara.uis.edu.co/biblioweb/tesis/2019/175927.pdf>